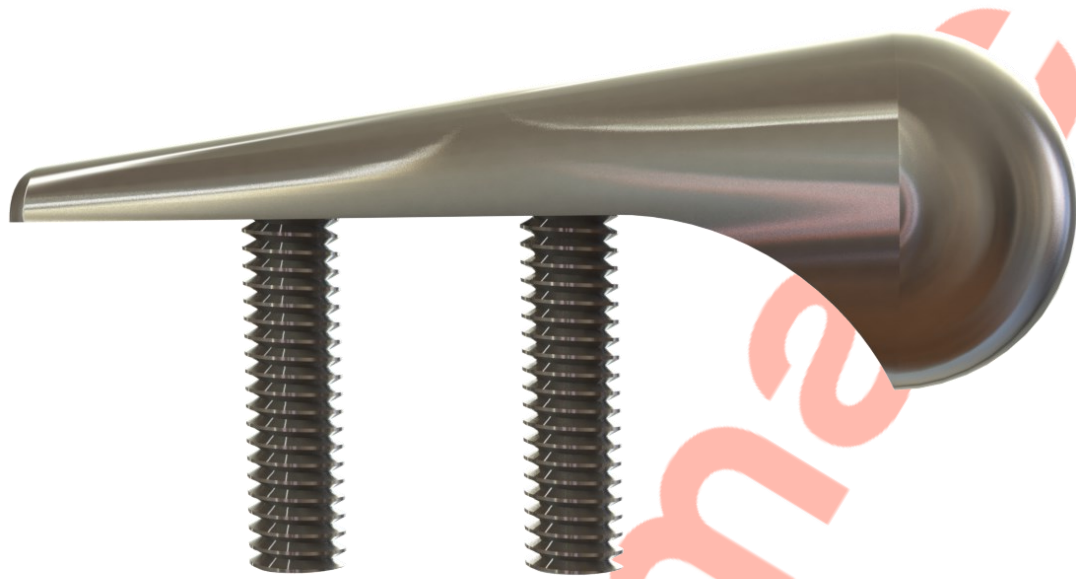


100-103 Torpedo Anti-skate Stud 20mm



Above. Shown with attractive machine finish

Description

Manufactured from 316 grade steel.

Satin polish finish as standard.

Constructed from non corrosive material.

Decorative feature anti-skating device.

2no. M8 studs to be resin fixed to concrete, stone or timber.

Dimensions

25mm \varnothing

80mm Overall length + 12.5mm height

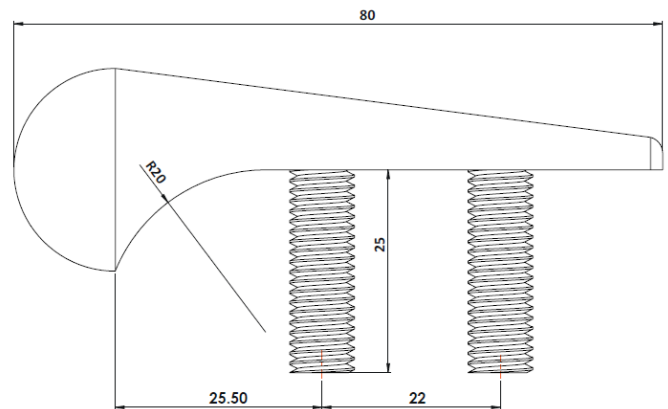
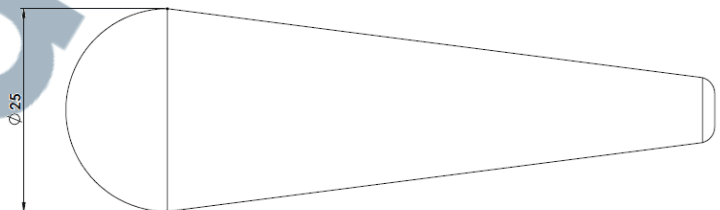
20mm Internal radius

Options

304 Grade stainless steel - Bronze - Aluminium - Anodised Aluminium

Mirror polish finish - Sandblasted Finish - Anodise to any RAL colour

Bespoke sizing

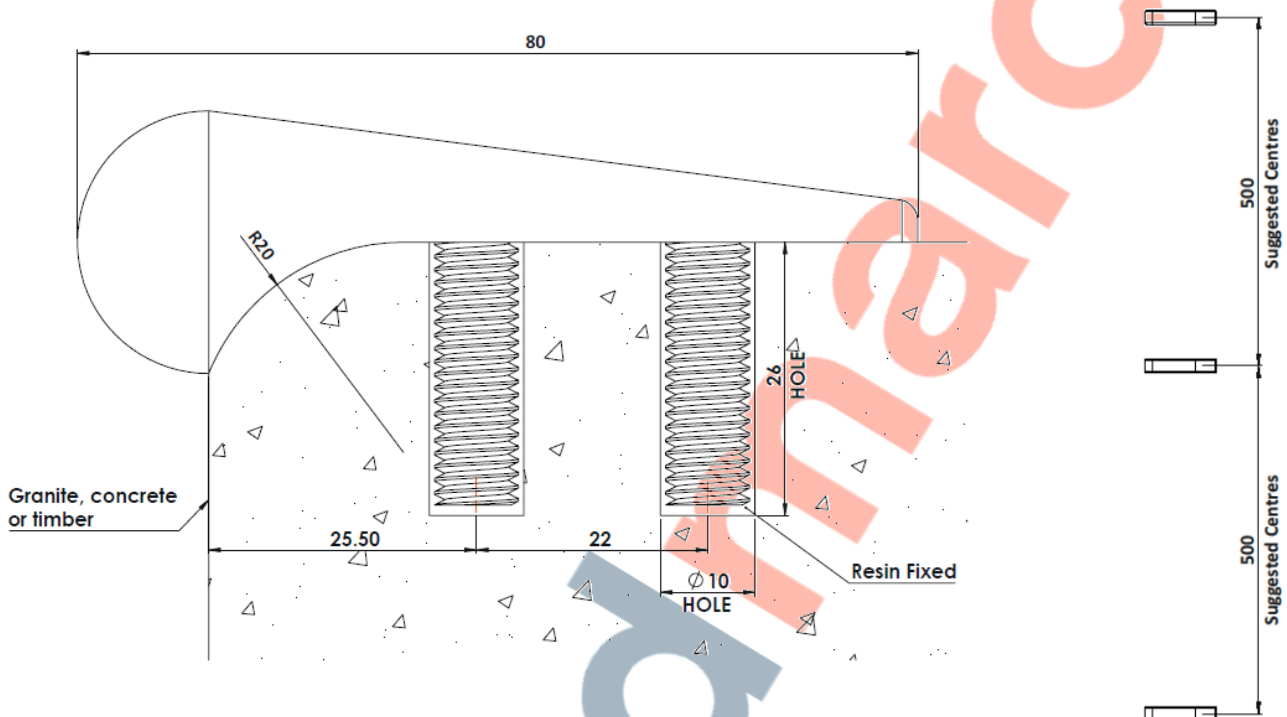


Full Installation Service - POA

DATASHEET

100-103 Torpedo Anti-skate Stud 20mm

Installation



Installation

1. Drill 2no. holes 10mm in diameter to the depths shown above.
2. Remove dust and debris caused by drilling.
3. Following the product guidelines, found on the Resin tube, pour a sufficient amount to fill the drilled hole.
4. Push the stud into the hole firmly ensuring an edge seal around the entire stud
5. Allow a few minutes for the Polymer Modified Adhesive to set.

Cleaning & Maintenance

This product is designed for all weather exposure requiring only minimal maintenance as detailed below.

Stainless Steel: Manufactured from premium grade 316 stainless steel. Maintenance free, inspect fixing every 6 months. Add additional Adhesive where required.

DATASHEET

100-103 Torpedo Anti-skate Stud 20mm

