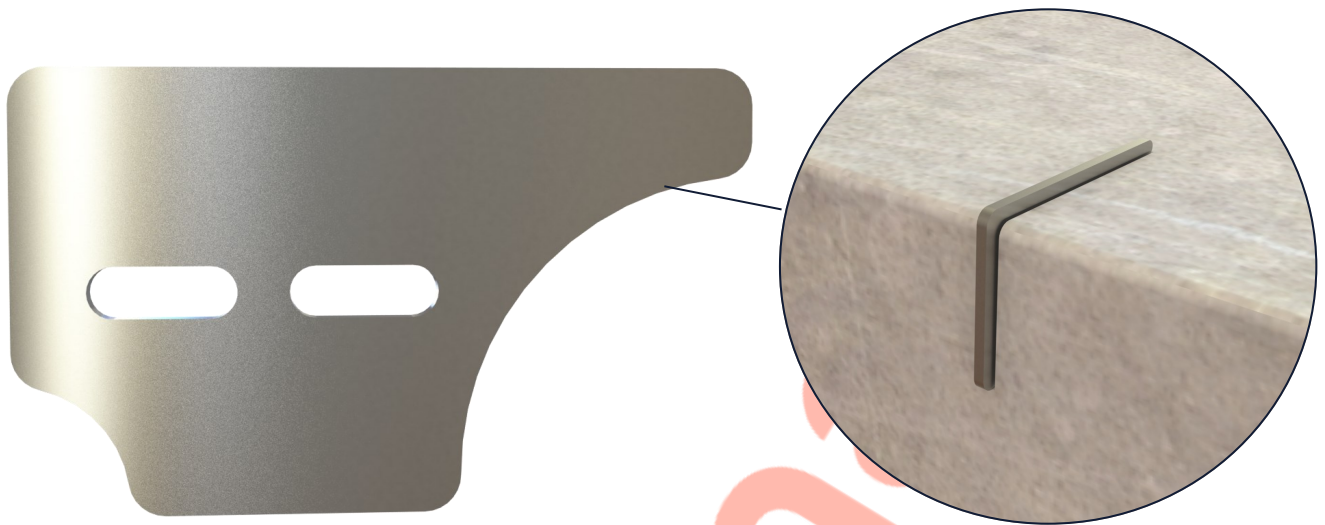


102-101 Anti-Skate Blade



Above. Shown with attractive machine finish

Description

Manufactured from 316 grade steel.

Satin polish finish as standard.

Suitable for benches, walls and steps.

To be used at the same time as the wall is being built.

Dimensions

100mm Overall length x 60mm height.

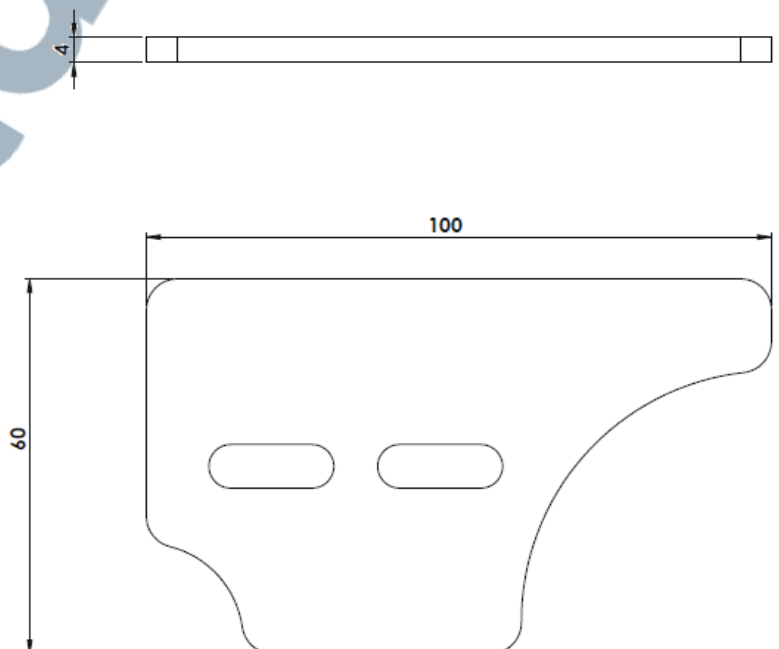
4mm material thickness.

Options

Brass - Bronze - Aluminium - 304 grade stainless steel

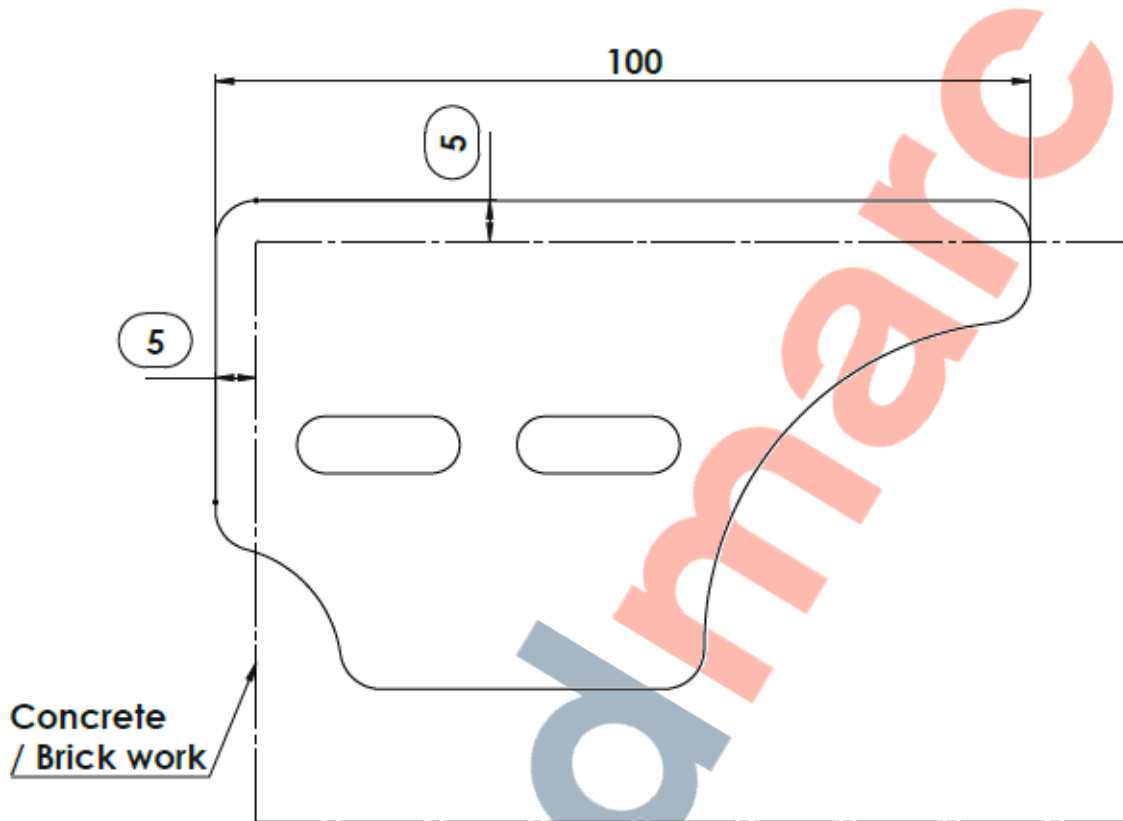
Bright polish finish - Sandblasted Finish

Bespoke sizing



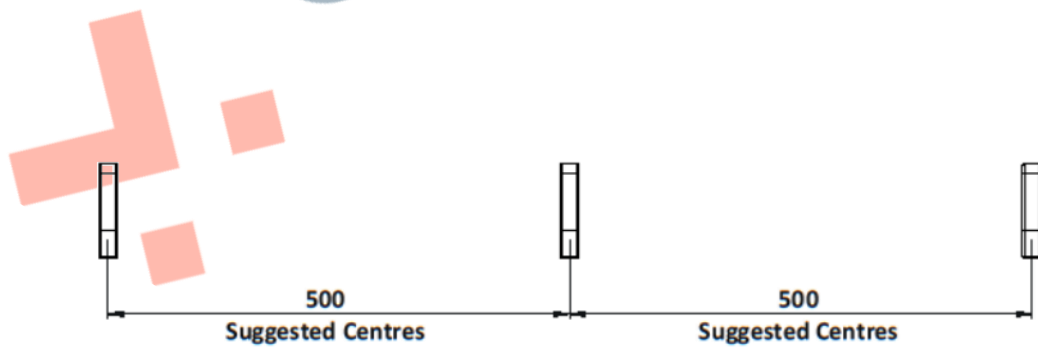
Full installation service - POA

102-101 Anti-Skate Blade Installation



Installation

1. Set blade into wet concrete / mortar as above. Leaving 5mm material to top and front.
2. Ensure stud is secure once all concrete / mortar is dry.



DATASHEET

102-101 Anti-Skate Blade

