

# 104-102 Anti-Skate Bar Stud



**Above.** Shown with attractive machine finish

## Description

Manufactured from 316 grade steel.

Satin polish finish as standard.

Suitable for benches, walls and steps.

5mm internal radius as standard.

Quick and easy to retrofit to virtually any surface.

## Dimensions

20mm wide

12mm max height above surface

102mm Overall length

2no. 8mm x 28mm fixing studs

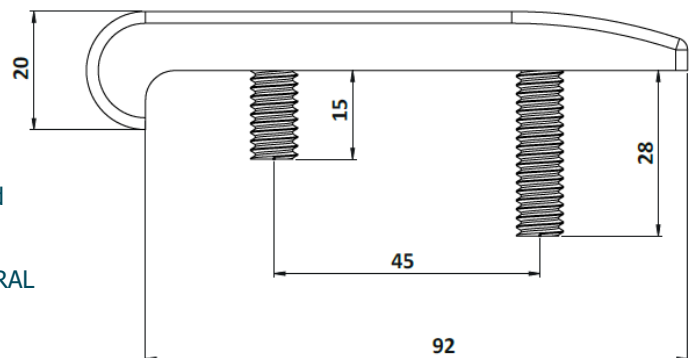
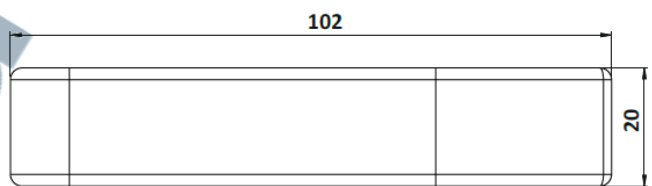
5mm inner radius as standard

## Options

304 Grade stainless steel - Bronze - Aluminium - Anodised Aluminium

Mirror polish finish - Sandblasted Finish - Anodise to any RAL colour

Bespoke sizing

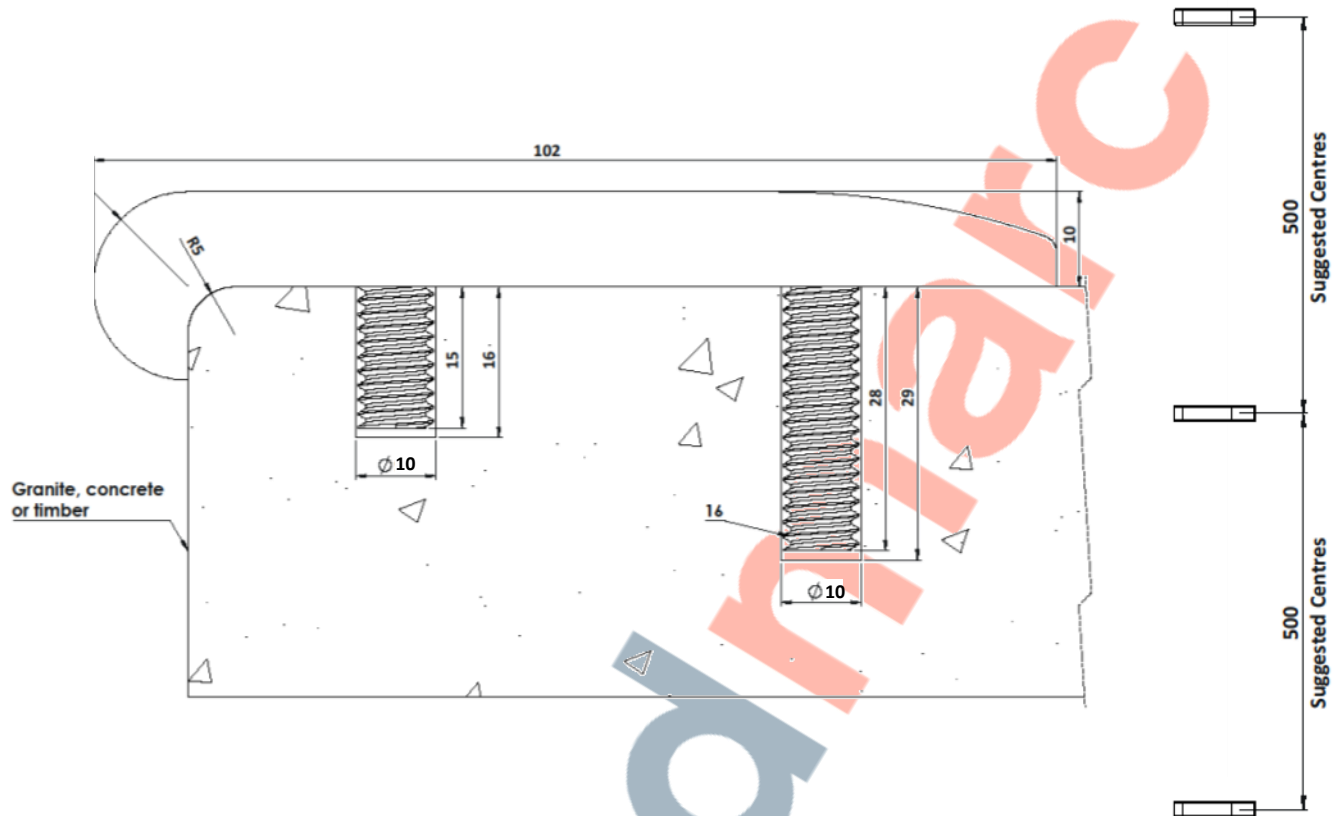


**Full installation service - POA**

# DATASHEET

## 104-102 Anti-Skate Bar Stud

### Installation



### Installation

1. Drill 2no. holes 10mm in diameter to the depths shown above.
2. Remove dust and debris caused by drilling.
3. Following the product guidelines, found on the Resin tube, pour a sufficient amount to fill the drilled hole.
4. Push the stud into the hole firmly ensuring an edge seal around the entire stud
5. Allow a few minutes for the Polymer Modified Adhesive to set.

### Cleaning & Maintenance

*This product is designed for all weather exposure requiring only minimal maintenance as detailed below.*

Stainless Steel: Manufactured from premium grade stainless steel. Maintenance free, inspect fixing every 6 months. Add additional Adhesive where required.

DATASHEET

## 104-102 Anti-Skate Bar Stud

