

DATASHEET

200-102 Plain Chamfered Brass Stud, 25mm



Above. Shown with machined finish

Description

Manufactured from Brass.
Machined polish finish as standard.
Constructed from non corrosive material. Long Service life.
To be installed onto finish surface.

Dimensions

25mm \varnothing x 5mm thick top
25mm long x 10mm \varnothing threaded stud

Options

Diameter options 20 - 120mm

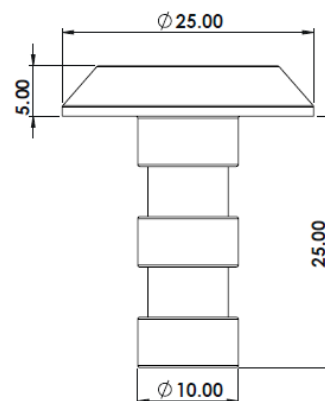
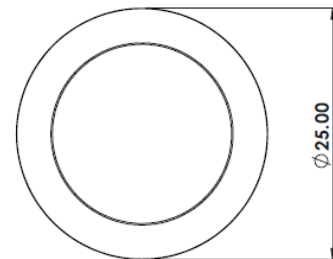
Material Options

Aluminium - 316 S/S - Bronze

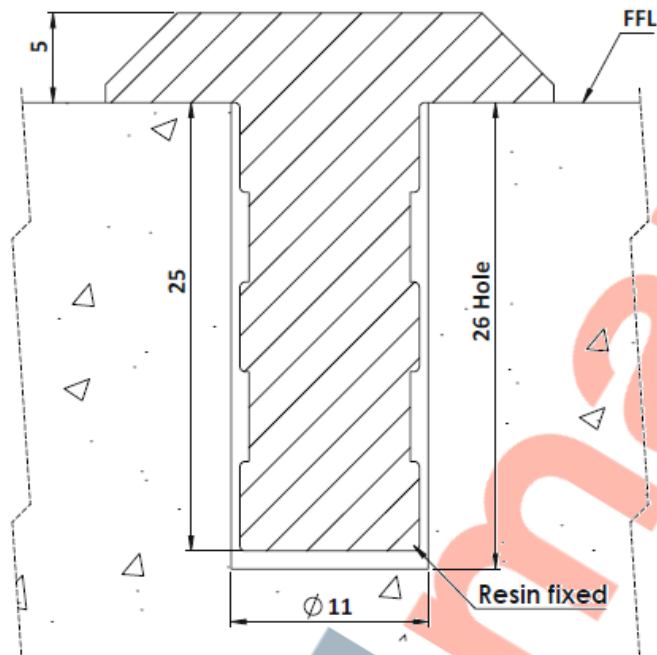
Finishing Options

Burnt - Bright Polish - Sandblasted - Anti-Slip

Full Installation Service - POA



200-102 Plain Chamfered Brass Stud Installation



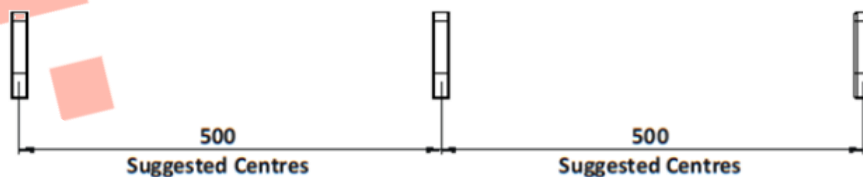
Installation

1. Drill holes 11mm in diameter to the depths shown above.
2. Remove dust and debris caused by drilling.
3. Following the product guidelines, found on the Resin tube, pour a sufficient amount to fill the drilled hole.
4. Push the stud into the hole firmly ensuring an edge seal around the entire stud
5. Allow a few minutes for the Polymer Modified Adhesive to set.

Cleaning & Maintenance

This product is designed for all weather exposure requiring only minimal maintenance as detailed below.

Brass: Manufactured from premium Brass. Maintenance free, inspect fixing every 6 months. Add additional adhesive where required.



DATASHEET

200-102 Plain Chamfered Brass Stud

